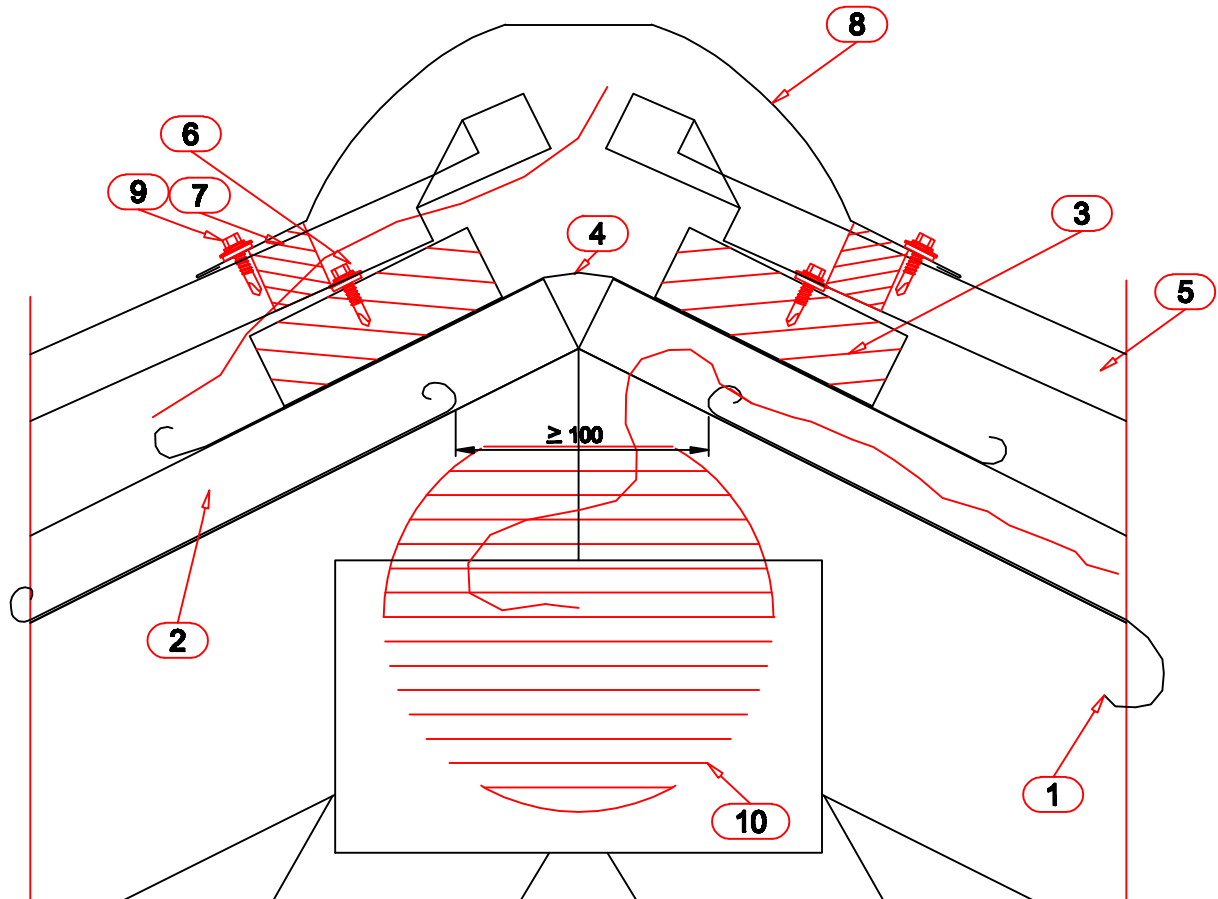


<b>Date</b> 23.02.2011	<b>Rev.date</b> .	<b>Work nr.</b> .	<b>Drw. nr.</b> TSDFI03-01	<b>Rev.</b> .
<b>Drawn by</b> Ruukki	<b>Rev.</b> .			
<b>Scale</b> 1:3	<b>Building</b> .		<b>File nr.</b> .	



1. UNDERLAY
2. BATTEN, e.g. 32\*50
3. WOODEN BATTEN 32\*100
4. UNDERLAY
5. TILE SHEET e.g. MONTERREY
6. FASTENER
7. UNIVERSAL SEALING
8. RIDGE CAPPING, RA1BRO
9. FASTENER
10. VENTILATING GRATES IN BUILDING GABLE ROOF

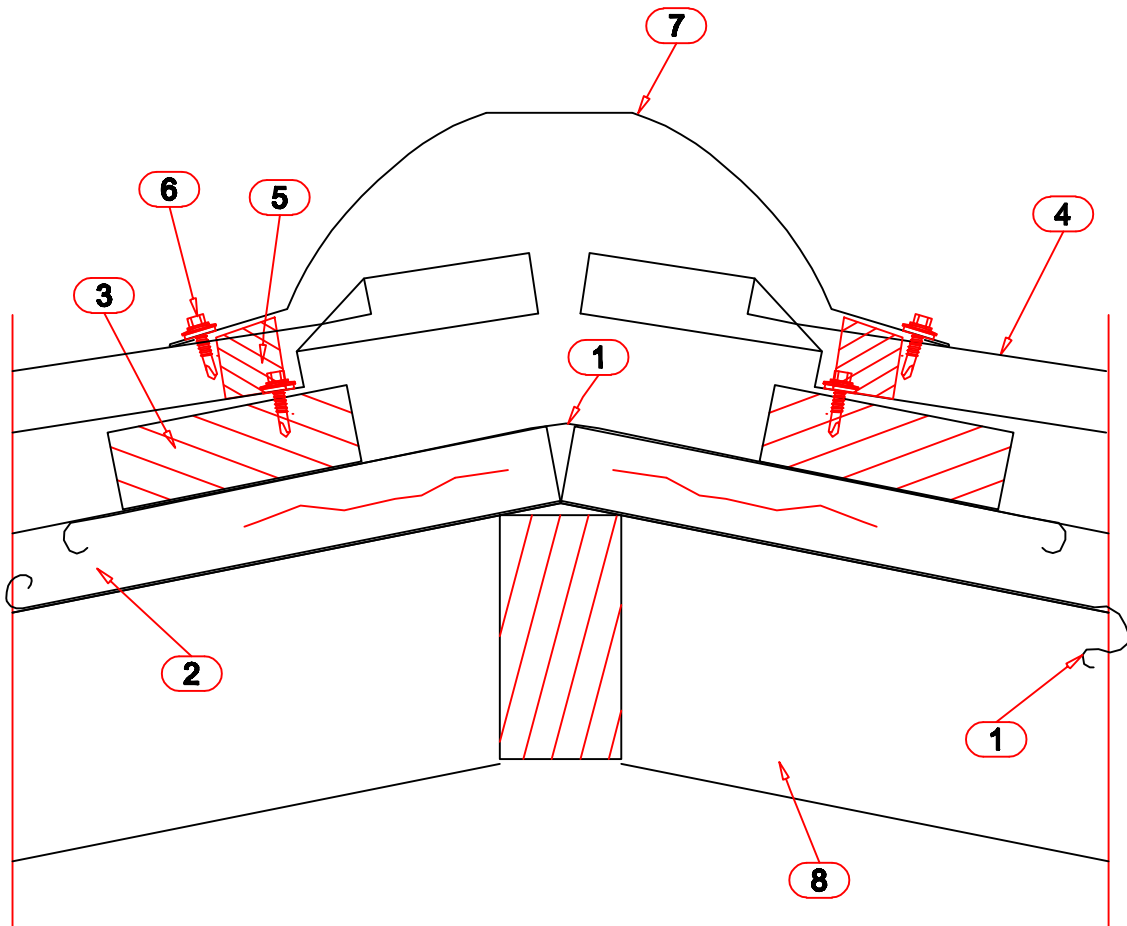
**When using breathable underlay the strip of underlay (4) can be excluded and draw underlay (1) continuously over the ridge.**

# RUUKKI

Contents of drawing

Tile sheet  
Wooden batten  
Ridge

Date <b>23.02.2011</b>	Rev.date	Work nr.	Drw. nr. <b>TSDFI06-01</b>	Rev.
Drawn by <b>Ruukki</b>	Rev.	.	.	.
Scale <b>1:3</b>	Building	.	File nr.	.



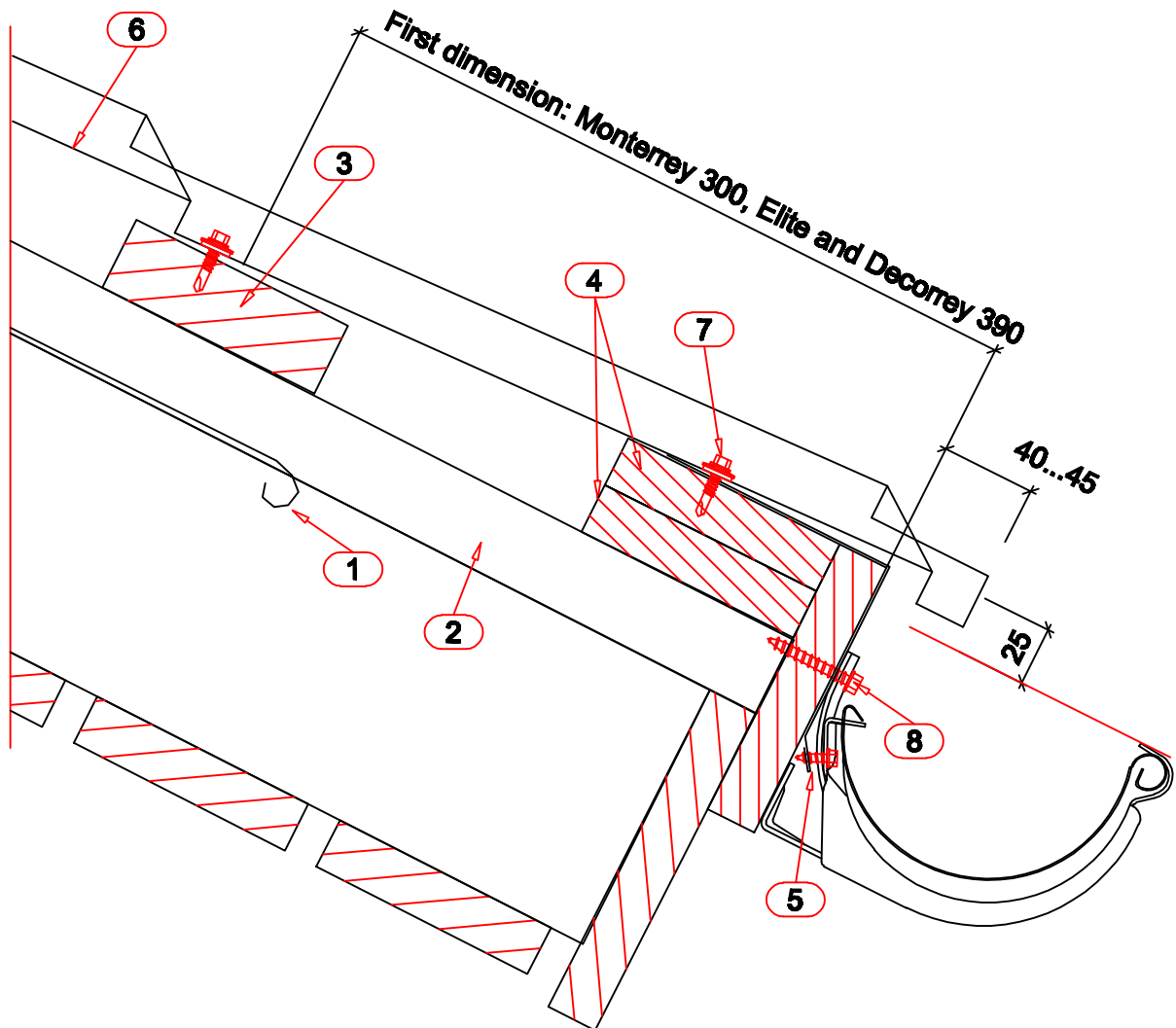
1. UNDERLAY
2. BATTEN, e.g. 32\*50
3. WOODEN BATTEN 32\*100
4. TILE SHEET, e.g. MONTERREY
5. UNIVERSAL SEALING
6. FASTENER
7. RIDGE CAPPING, RA1BRO
8. TIMBER JOISTS e.g. wooden grids extension rafter

# RUUKKI

Contents of drawing

Tile sheet  
Wooden battens  
Side eaves

Date	23.02.2011	Rev.date		Work nr.		Drw. nr.	TSDFI01-01	Rev.	.
Drawn by	Ruukki	Rev.	.						
Scale	1:3	Building	.			File nr.	.		



1. UNDERLAY
2. BATTEN, e.g. 32\*50
3. WOODEN BATTEN 32\*100
4. WOOD, 2 PIECE 22\*100
5. EAVES FLASHING, RA1BE
6. TILE SHEET, e.g. MONTERREY
7. FASTENER
8. FASTENER

**Underlay must always come over external wall!**

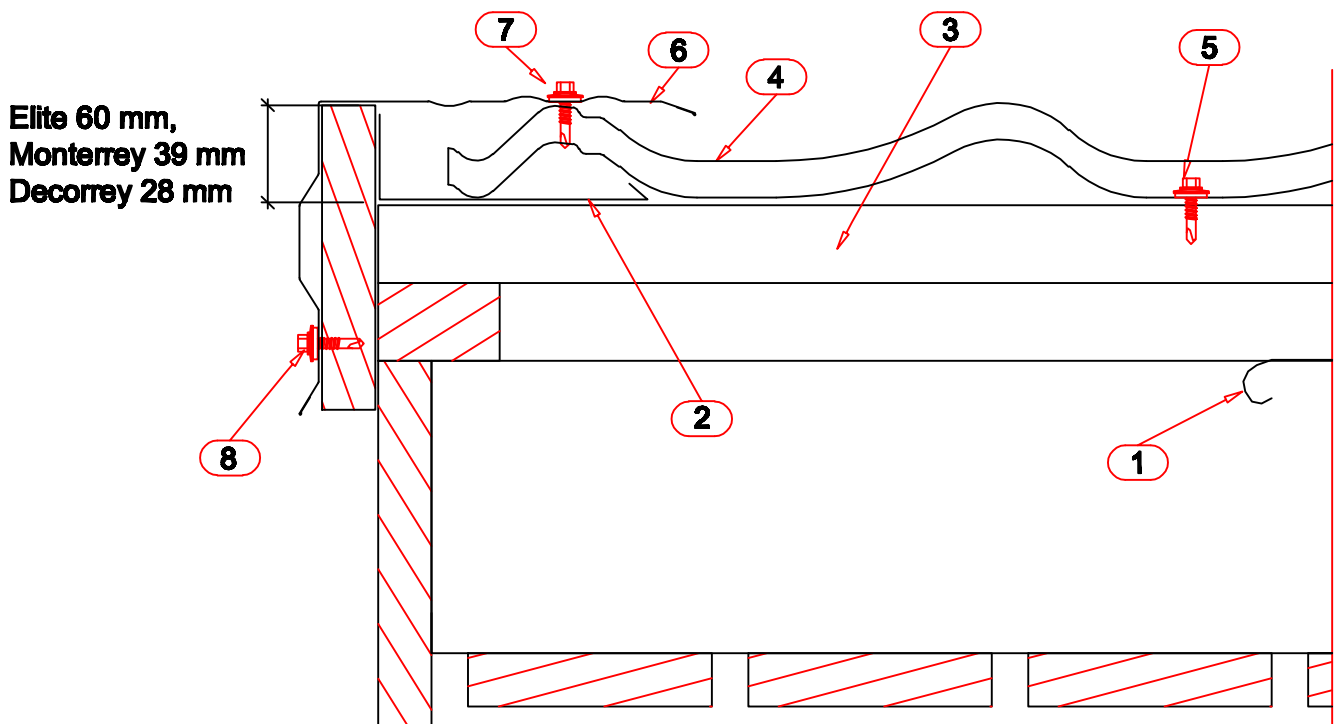
**Eaves flashing RA1BE can be installed either under the gutter or over it.**

# RUUKKI

Contents of drawing

Tile sheet  
Wooden battens  
Gable eaves

Date 23.02.2011	Rev.date	Work nr.	Drw. nr. TSDFI02-01	Rev.
Drawn by Ruukki	Rev.	.	.	.
Scale 1:3	Building	.	File nr.	.

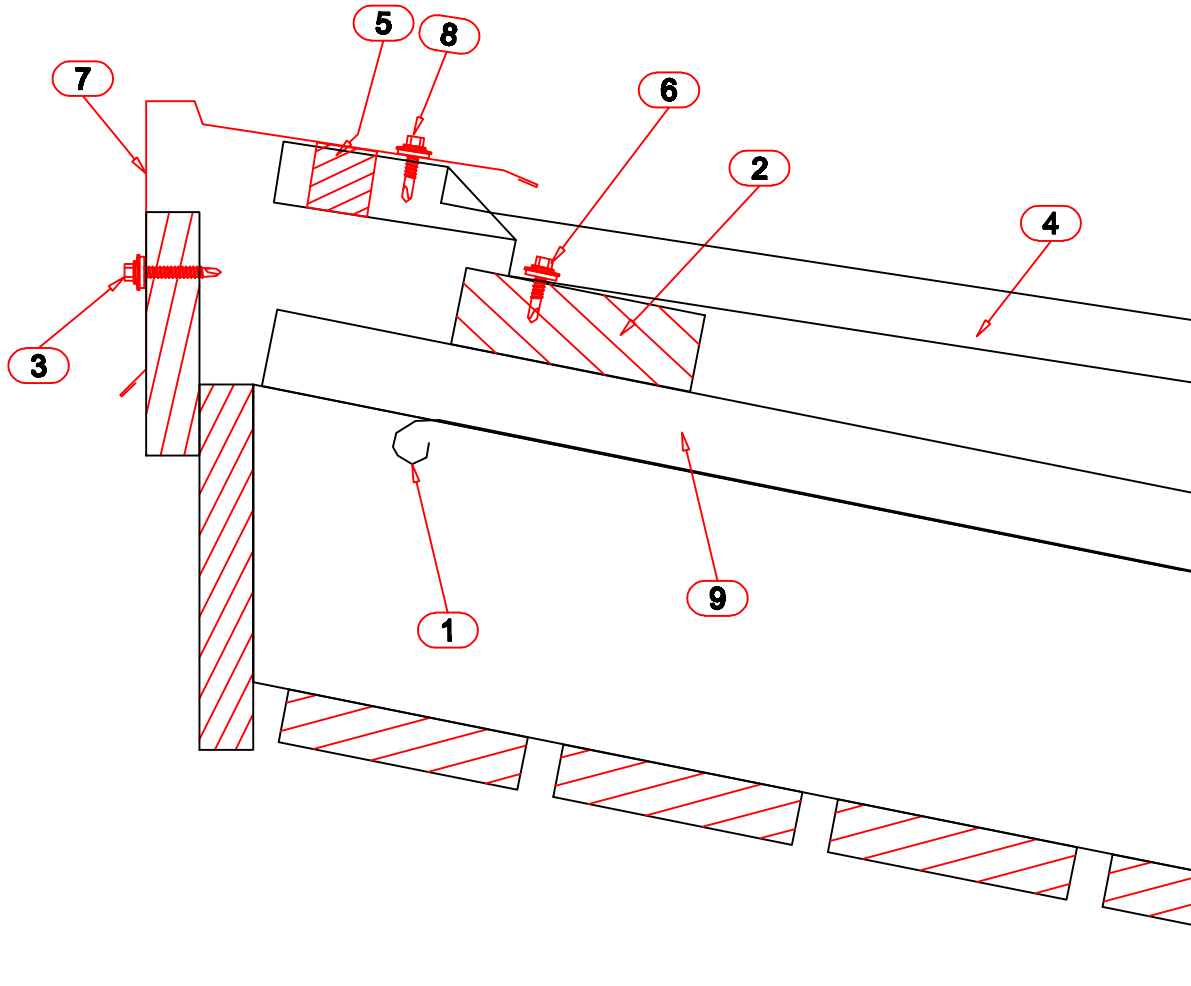


1. UNDERLAY
2. VERGE BOTTOM PROFILE RA1BB, (when necessary)
3. WOODEN BATTEN 32\*100
4. TILE SHEET, e.g. MONTERREY
5. FASTENER
6. VERGE TRIM, RA1BG
7. FASTENER
8. FASTENER

**Underlay must always come over external wall!**

**Underlay dangles between roof truss approx. 40 mm.**

<b>Date</b> 23.02.2011	<b>Rev.date</b> .	<b>Work nr.</b> .	<b>Drw. nr.</b> TSDFI04-01	<b>Rev.</b> .
<b>Drawn by</b> Ruukki	<b>Rev.</b> .			
<b>Scale</b> 1:3	<b>Building</b> .		<b>File nr.</b> .	



- 1. UNDERLAY
- 2. WOODEN BATTEN 32\*100
- 3. FASTENER,
- 4. TILE SHEET e.g. MONTERREY
- 5. UNIVERSAL SEALING
- 6. FASTENER
- 7. UPPER EAVES FLASHING, RA1AEU
- 8. FASTENER
- 9. BATTEN, e.g 32\*50

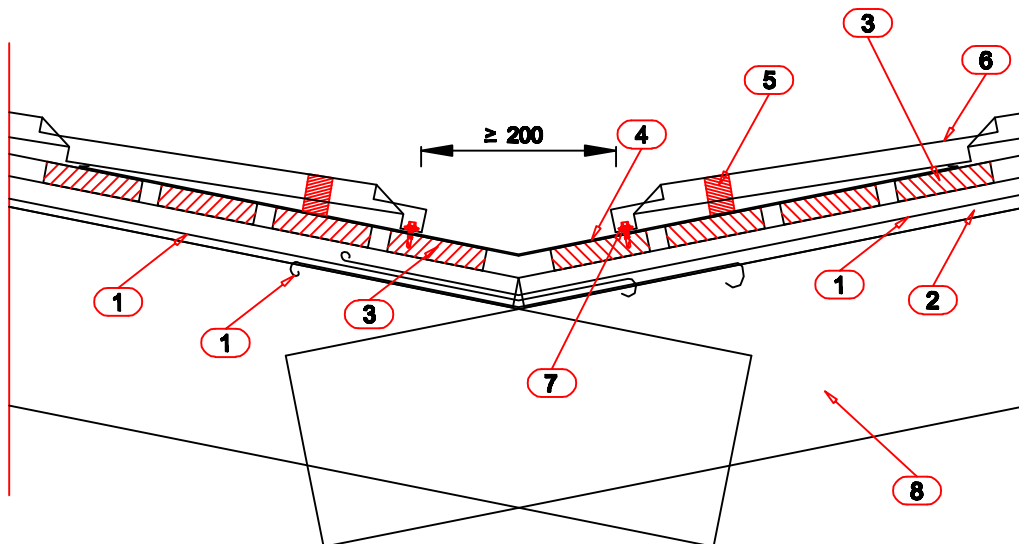
**Underlay must always come over external wall!**

# RUUKKI

Contents of drawing

Tile sheet  
Wooden batten  
Roof valley straight

Date <b>23.02.2011</b>	Rev. date	Work nr.	Drw. nr. <b>TSDFI05-01</b>	Rev.
Drawn by <b>Ruukki</b>	Rev.	.	.	.
Scale <b>1:7.5</b>	Building	.	File nr.	.



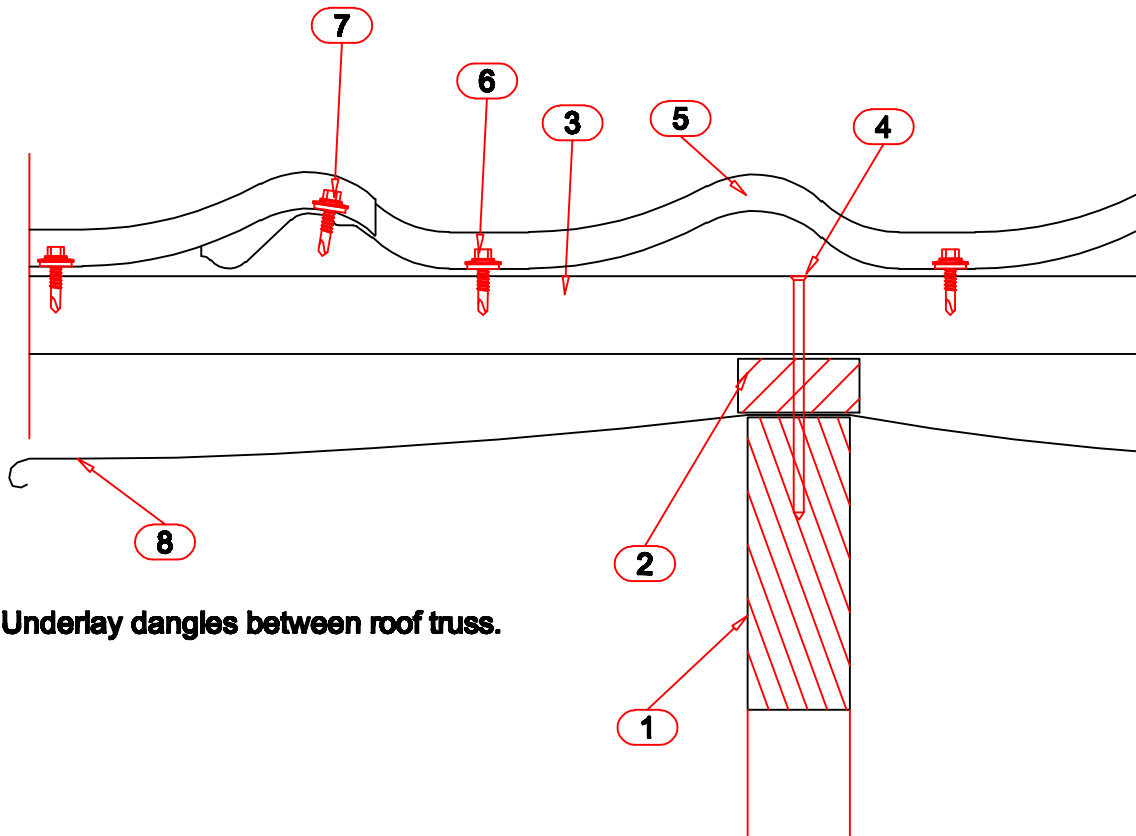
- |  |
|--|
| <p><b>1. UNDERLAY</b><br/>Lower strip of underlay parallel with roof valley, underlays from pane of the roof over it.</p> <p><b>2. BATTEN, e.g. 22*100</b></p> <p><b>3. BOARDING 22*100</b></p> <p><b>4. VALLEY FLASHING, RA1BV</b></p> <p><b>5. FILLER FOR ROOF VALLEY</b></p> <p><b>6. TILE SHEET, e.g. MONTERREY</b></p> <p><b>7. FASTENER</b></p> <p><b>8. ROOF RAIL, e.g. wooden grids extension rafter</b></p> |
|--|

# RUUKKI

Contents of drawing

Tile sheet  
Wooden batten  
Pane of roof

Date <b>23.02.2011</b>	Rev.date	Work nr.	Drw. nr. <b>TSDFI07-01</b>	Rev.
Drawn by <b>Ruukki</b>	Rev.	.	.	.
Scale <b>1:3</b>	Building	.	File nr.	.

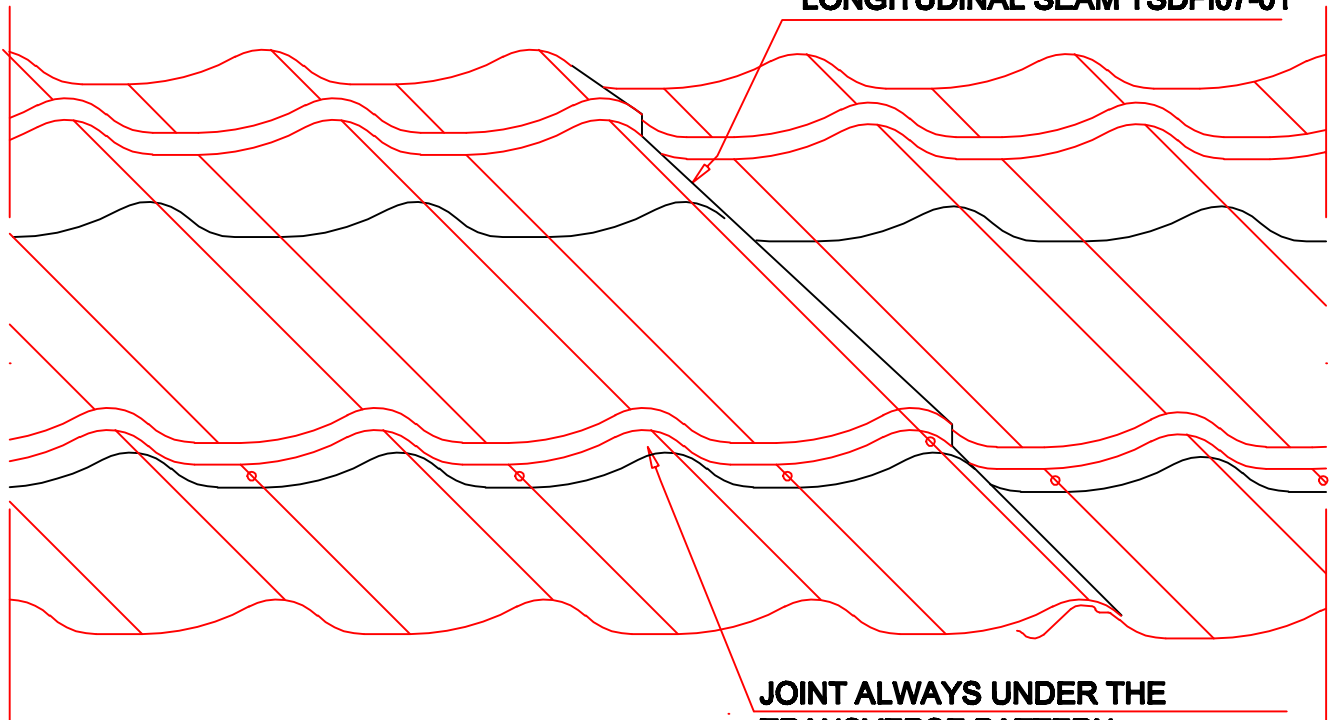


Underlay dangles between roof truss.

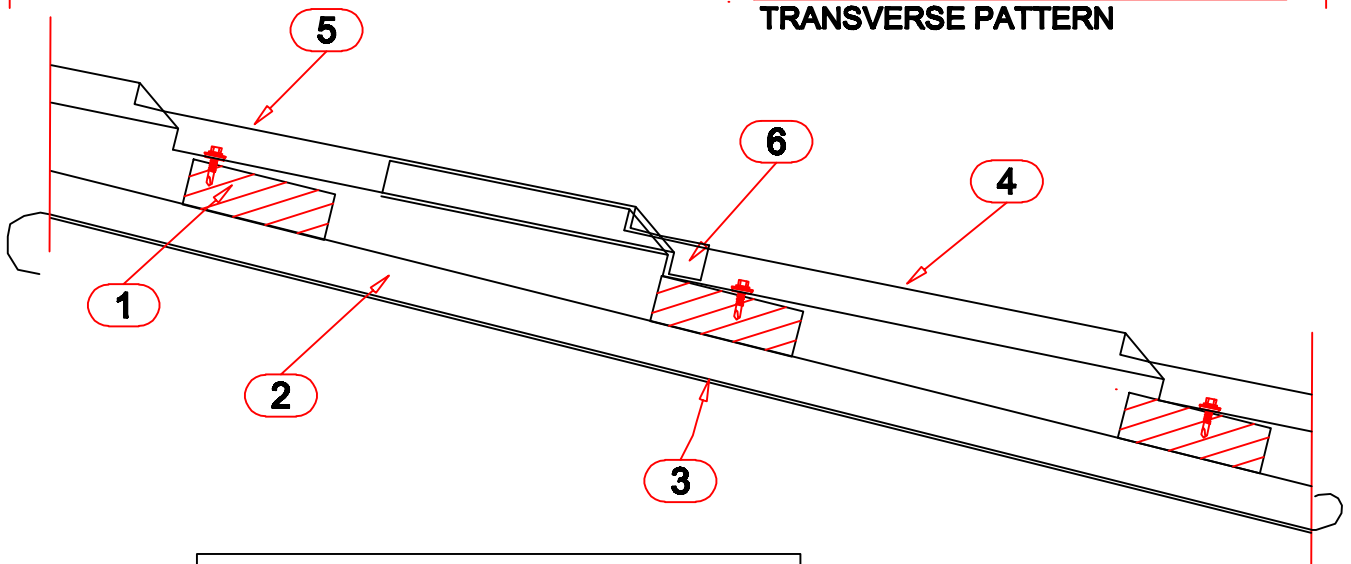
1. ROOF RAIL
2. BATTEN, e.g. 32\*50
3. WOODEN BATTEN 32\*100
4. FASTENER
5. TILE SHEET, e.g. MONTERREY
6. FASTENER
7. OVERLAPPING SCREW
8. UNDERLAY

<b>Date</b> 23.02.2011	<b>Rev. date</b> .	<b>Work nr.</b> .	<b>Drw nr.</b> TSDFI07-02	<b>Rev.</b> .
<b>Drawn by</b> Ruukki	<b>Rev.</b> .			
<b>Scale</b> 1:5	<b>Building</b> .		<b>File nr.</b> .	

**LONGITUDINAL SEAM TSDFI07-01**



**JOINT ALWAYS UNDER THE  
TRANSVERSE PATTERN**



- 1. WOODEN BATTEN 32\*100
- 2. BATTEN, e.g. 32\*50
- 3. UNDERLAY
- 4. TILE SHEET, e.g. MONTERREY, LOWER
- 5. TILE SHEET, e.g. MONTERREY, UPPER
- 6. FASTENER, bottom in every wave



Date 23.02.2011	Rev. date	Work nr.	Drw nr. TSDFI07-03	Rev.
Drawn by Ruukki	Rev.	.	.	.
Scale 1:5	Building	.	File nr.	.

1. Eaves, on the bottom of every second wave.
2. Ridge, on the bottom of every second wave.
3. Flat joint, on the bottom of every wave.
4. Gable eaves, bottom of the outermost wave in every batten.
5. Logngitudinal seam, every transverse patterns wave lower ridge.
6. Mid range, every second batten, every 3. wave bottom.

