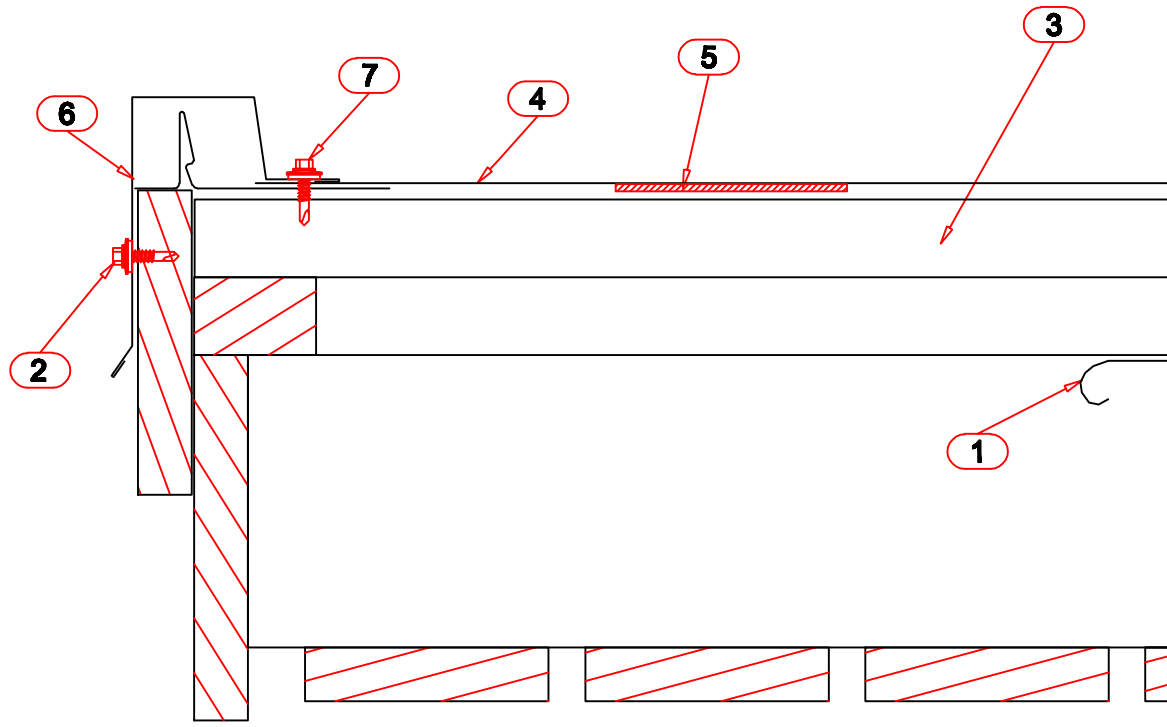


# RUUKKI

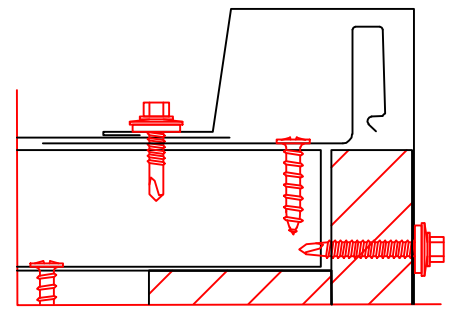
Contents of drawing

Classic  
Wooden battens  
Gable eaves

|                           |                               |               |                               |           |
|---------------------------|-------------------------------|---------------|-------------------------------|-----------|
| Date<br><b>07.02.2006</b> | Rev.date<br><b>15.04.2011</b> | Work nr.<br>. | Drw. nr.<br><b>SSDFI02-01</b> | Rev.<br>. |
| Drawn by<br><b>Ruukki</b> | Rev.<br>.                     | .             | .                             | .         |
| Scale<br><b>1:3</b>       | Building<br>.                 | .             | File nr.<br>.                 | .         |



Other side



1. UNDERLAY
2. FASTENER
3. WOODEN BATTEN 22...32\*100
4. ROOFING SHEET CLASSIC SR35-475D
5. ACUSTIC FILLER
6. VERGE TRIM, RA1AG
7. FASTENER

# RUUKKI

Contents of drawing

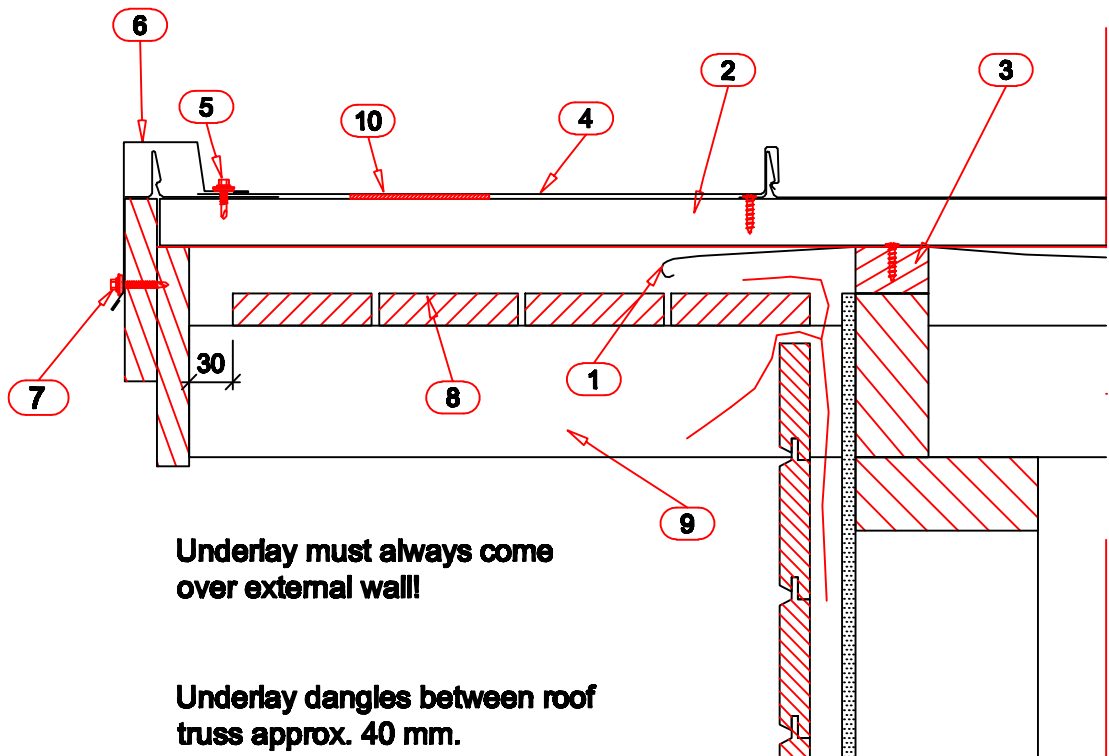
Classic

Wooden battens

Gable eaves

Overhead fascia board, notched roof struss

|                           |                                |          |                              |      |
|---------------------------|--------------------------------|----------|------------------------------|------|
| Date<br><b>07.02.2006</b> | Rev. date<br><b>15.04.2011</b> | Work nr. | Drw nr.<br><b>SSDFI02-03</b> | Rev. |
| Drawn by<br><b>Ruukki</b> | Rev.<br>.                      |          |                              |      |
| Scale<br><b>1:5</b>       | Building<br>.                  |          | File nr.<br>.                |      |



**Underlay must always come over external wall!**

**Underlay dangles between roof truss approx. 40 mm.**

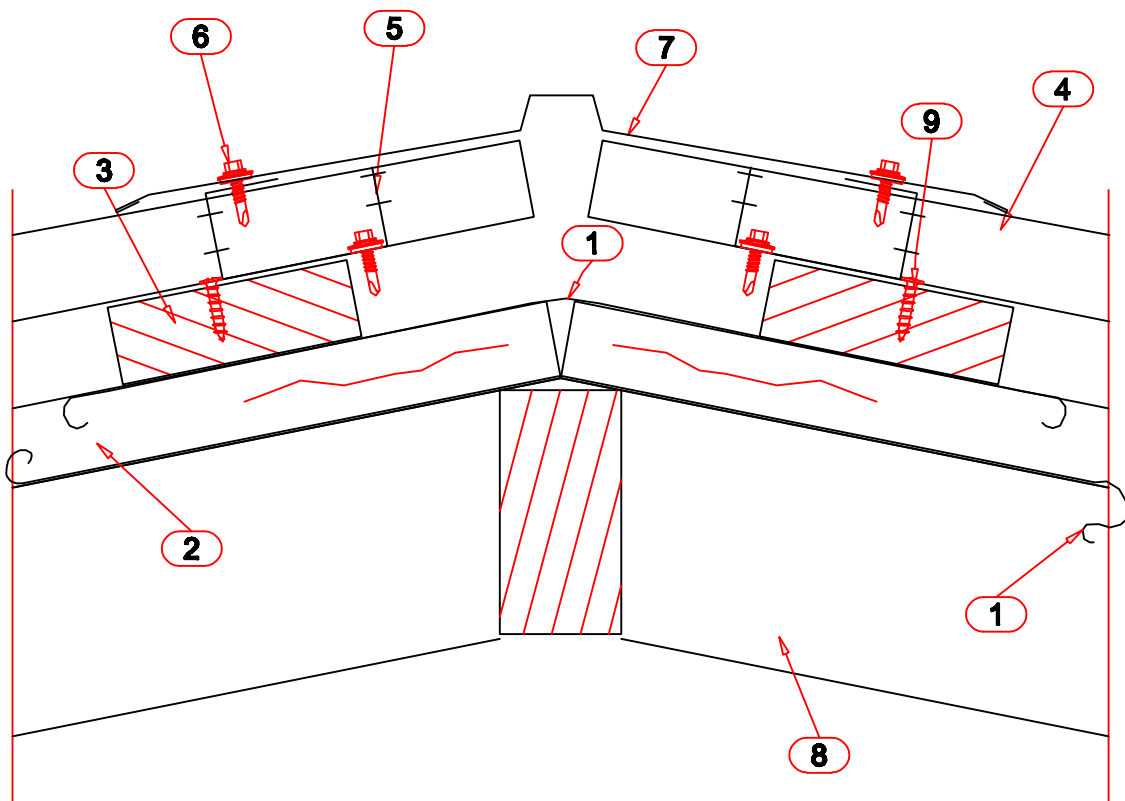
1. UNDERLAY
2. WOODEN BATTEN 22...32\*100
3. BATTEN, E.G. 32\*50
4. ROOFING SHEET CLASSIC SR35-475C
5. FASTENER
6. VERGE TRIM, RA1AG
7. FASTENER
8. PANEL, E.G. 21\*95
9. CONTINUOUS BEAMS
10. ACOUSTIC FILLER

# RUUKKI

Contents of drawing

**Classic  
Wooden battens  
Ridge (hipped roofs)**

|                           |                               |                      |                               |                  |
|---------------------------|-------------------------------|----------------------|-------------------------------|------------------|
| <b>Date</b><br>07.02.2006 | <b>Rev.date</b><br>15.04.2011 | <b>Work nr.</b><br>. | <b>Drw. nr.</b><br>SSDFI06-01 | <b>Rev.</b><br>. |
| <b>Drawn by</b><br>Ruukki | <b>Rev.</b><br>.              | <b>File nr.</b><br>. |                               |                  |
| <b>Scale</b><br>1:3       | <b>Building</b><br>.          |                      |                               |                  |



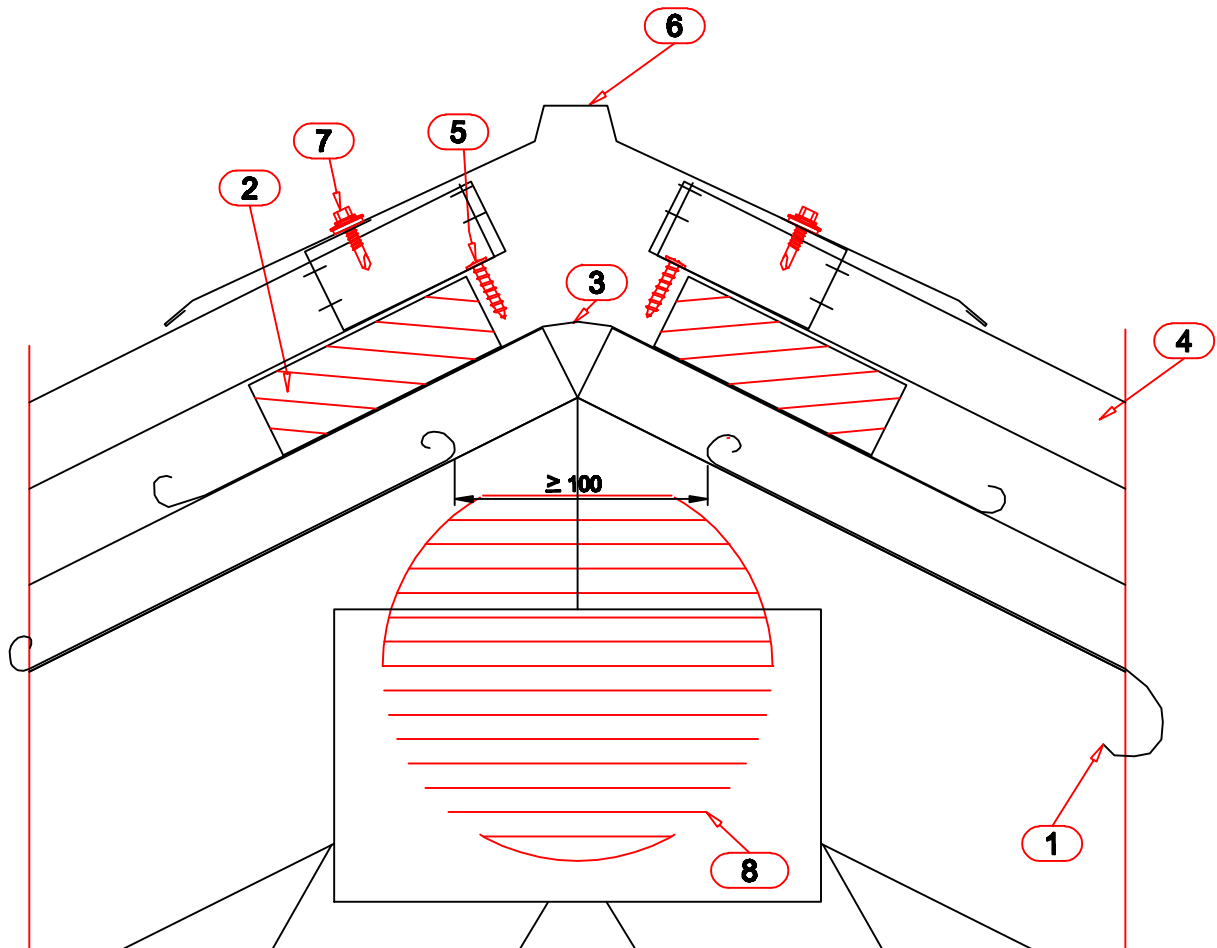
1. UNDERLAY
2. BATTEN, e.g. 32\*50
3. WOODEN BATTEN 22...32\*100
4. ROOFING SHEET CLASSIC SR35-475D
5. RIDGE SEALING STRIP, RA1AH
6. FASTENER
7. RIDGE CAPPING, RA1AR
8. TIMBER JOIST
9. CLASSIC SCREW

# RUUKKI

Contents of drawing

**Classic  
Wooden battens  
Ridge**

|                           |                               |                      |                      |                  |
|---------------------------|-------------------------------|----------------------|----------------------|------------------|
| <b>Date</b><br>05.11.2010 | <b>Rev.date</b><br>15.04.2011 | <b>Work nr.</b><br>. | <b>Drw. nr.</b><br>. | <b>Rev.</b><br>. |
| <b>Drawn by</b><br>Ruukki | <b>Rev.</b><br>.              | .                    | .                    | .                |
| <b>Scale</b><br>1:3       | <b>Building</b><br>.          | .                    | <b>File nr.</b><br>. | .                |



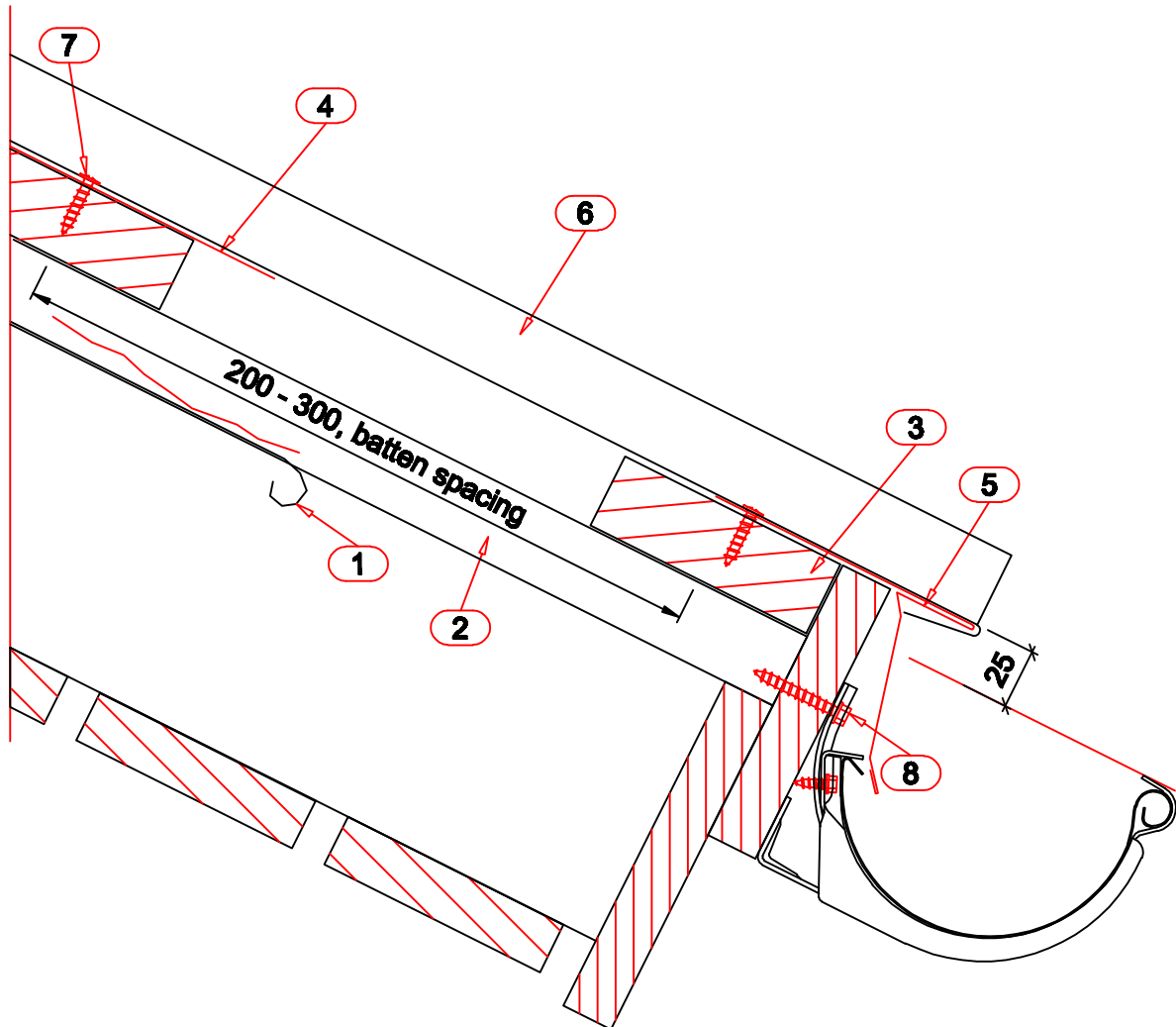
1. UNDERLAY
2. WOODEN BATTEN 22...32\*100
3. UNDERLAY
4. ROOFING SHEET CLASSIC SR35-475D
5. CLASSIC SCREW
6. RIDGE CAPPING, RA1AR
7. FASTENER
8. VENTILATION

# RUUKKI

Contents of drawing

**Classic  
Wooden battens  
Side eaves**

|                           |                               |                      |                               |                  |
|---------------------------|-------------------------------|----------------------|-------------------------------|------------------|
| <b>Date</b><br>07.02.2006 | <b>Rev.date</b><br>15.04.2011 | <b>Work nr.</b><br>. | <b>Drw. nr.</b><br>SSDFI01-01 | <b>Rev.</b><br>. |
| <b>Drawn by</b><br>Ruukki | <b>Rev.</b><br>.              | .                    | .                             | .                |
| <b>Scale</b><br>1:3       | <b>Building</b><br>.          | .                    | <b>File nr.</b><br>.          | .                |



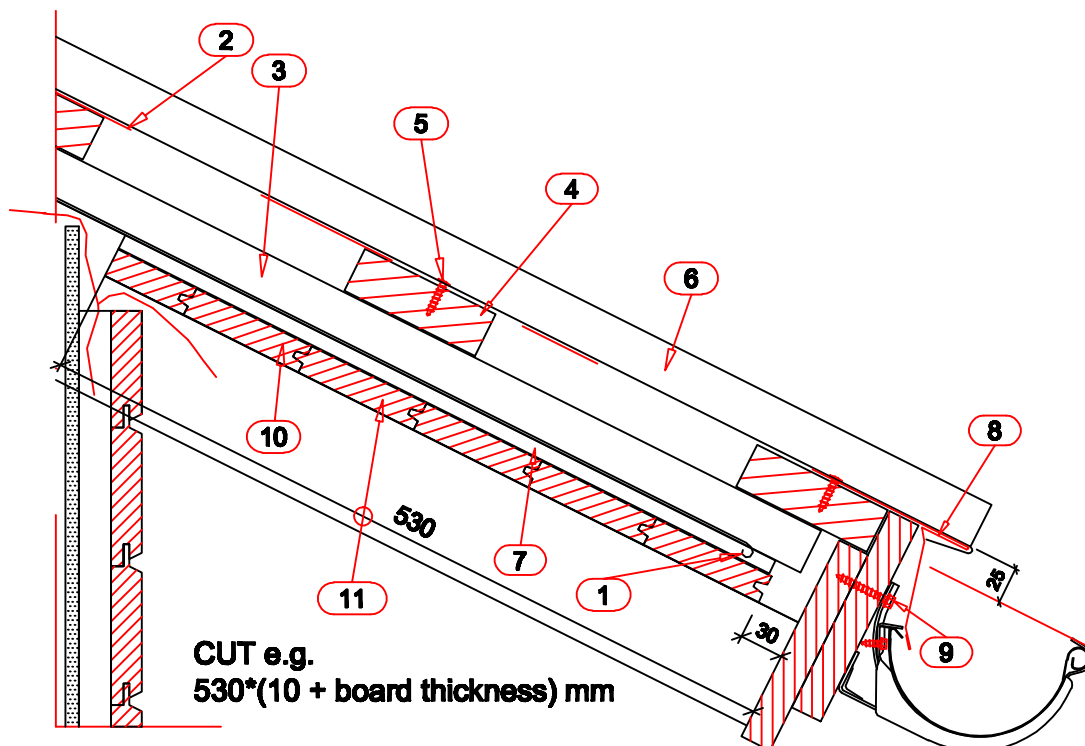
1. UNDERLAY
2. BATTEN, e.g. 32\*50
3. WOODEN BATTEN 22...32\*100
4. ACOUSTIC FILLER
5. EAVE FLASHING, RA1AEF
6. ROOFING SHEET CLASSIC SR35-475D
7. CLASSIC SCREW
8. FASTENER

# RUUKKI

**Contents of drawing**

**Classic  
Wooden battens  
Side eaves  
Overhead fascia board, notched roof struss**

|                           |                                |                 |                              |             |
|---------------------------|--------------------------------|-----------------|------------------------------|-------------|
| <b>Date</b><br>07.02.2006 | <b>Rev. date</b><br>15.04.2011 | <b>Work nr.</b> | <b>Drw nr.</b><br>SSDFI01-03 | <b>Rev.</b> |
| <b>Drawn by</b><br>Ruukki | <b>Rev.</b><br>.               |                 |                              |             |
| <b>Scale</b><br>1:5       | <b>Building</b><br>.           |                 | <b>File nr.</b><br>.         |             |



1. UNDERLAY
2. ACOUSTIC FILLER
3. BATTEN, E.G. 32\*50
4. WOODEN BATTEN 22...32\*100
5. FASTENER
6. ROOFING SHEET CLASSIC SR35-475C
7. PLYWOOD BATTEN 10x50
8. EAVES FLASHING, RA1AEF
9. FASTENER
10. PANEL, E.G. 21\*95
11. NOTCHED ROOF STRUSS

**Underlay must always come over external wall!**

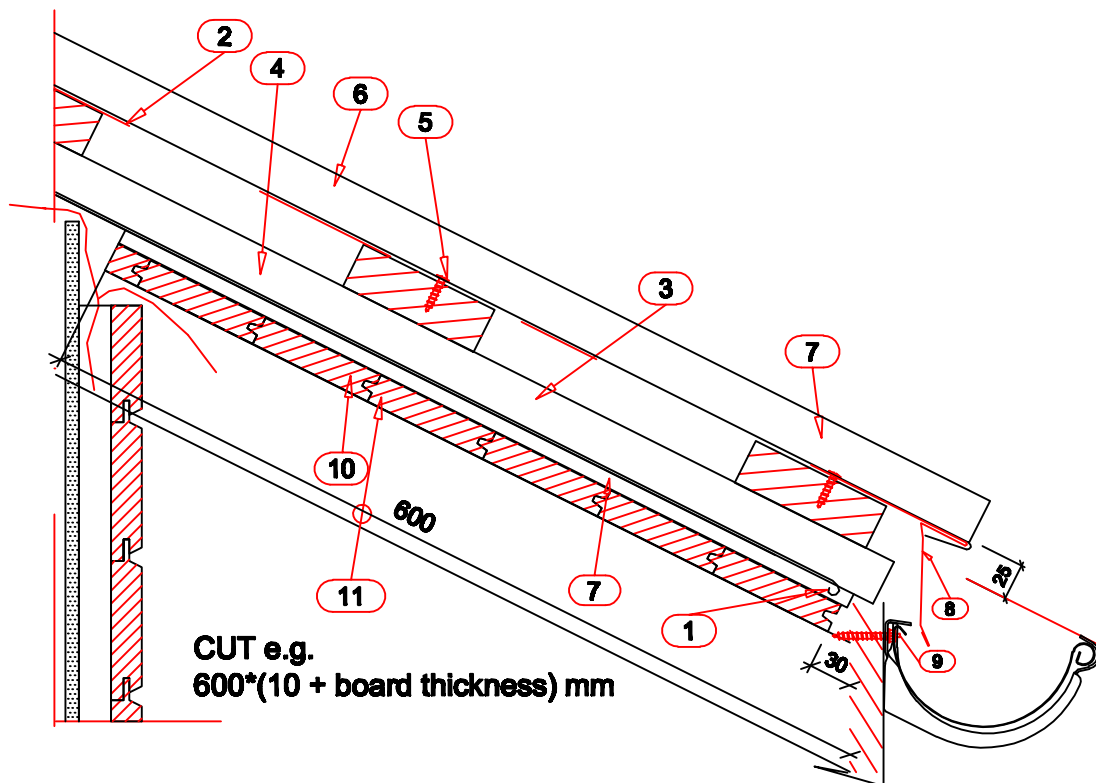
**Eaves flashing RA1BE can be installed either under the gutter or over it.**

# RUUKKI

**Contents of drawing**

**Classic  
Wooden battens  
Side eaves  
Overhead fascia board, notched roof struss**

|                           |                                |                 |                      |             |
|---------------------------|--------------------------------|-----------------|----------------------|-------------|
| <b>Date</b><br>07.02.2006 | <b>Rev. date</b><br>15.04.2011 | <b>Work nr.</b> | <b>Drw nr.</b>       | <b>Rev.</b> |
| <b>Drawn by</b><br>Ruukki | <b>Rev.</b><br>.               |                 |                      |             |
| <b>Scale</b><br>1:5       | <b>Building</b><br>.           |                 | <b>File nr.</b><br>. |             |



- 1. UNDERLAY
- 2. ACOUSTIC FILLER
- 3. BATTEN, E.G. 32\*50
- 4. WOODEN BATTEN 32\*100
- 5. CLASSIC SCREW
- 6. ROOFING SHEET CLASSIC SR35-475C
- 7. PLYWOOD BATTEN 10x50
- 8. EAVES FLASHING, RA1AEF
- 9. FASTENER
- 10. PANEL, E.G. 21\*95
- 11. NOTCHED ROOF STRUSS

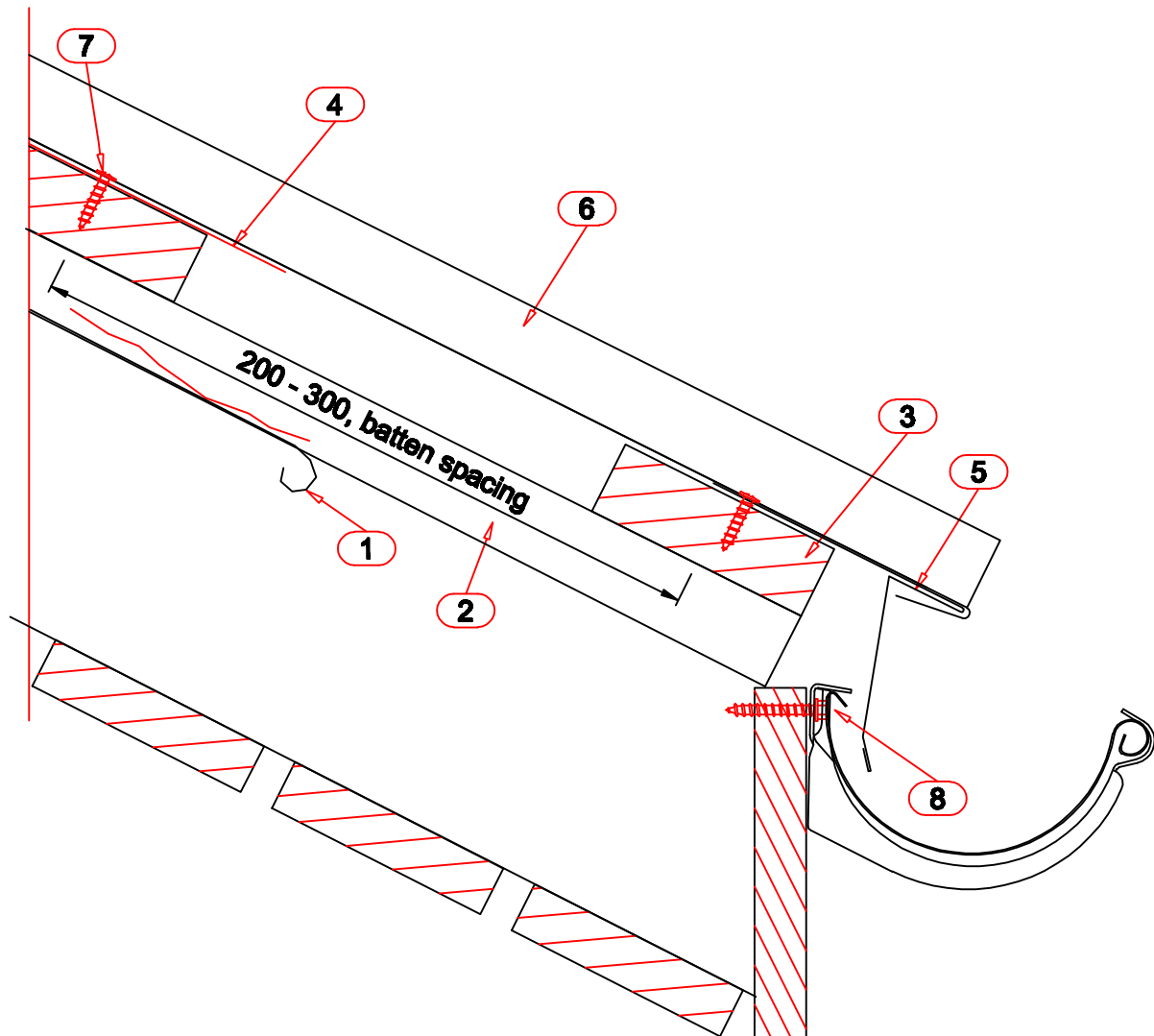
**Underlay must always come over external wall!**

# RUUKKI

Contents of drawing

**Classic  
Wooden battens  
Side eaves**

|                           |                               |                      |                      |                  |
|---------------------------|-------------------------------|----------------------|----------------------|------------------|
| <b>Date</b><br>07.02.2006 | <b>Rev.date</b><br>15.04.2011 | <b>Work nr.</b><br>. | <b>Drw. nr.</b><br>. | <b>Rev.</b><br>. |
| <b>Drawn by</b><br>Ruukki | <b>Rev.</b><br>.              | .                    | .                    | .                |
| <b>Scale</b><br>1:3       | <b>Building</b><br>.          | .                    | <b>File nr.</b><br>. | .                |



1. UNDERLAY
2. BATTEN, e.g. 32\*50
3. WOODEN BATTEN 22...32\*100
4. ACOUSTIC FILLER
5. EAVE FLASHING, RA1AEF
6. ROOFING SHEET CLASSIC SR35-475D
7. CLASSIC SCREW
8. FASTENER

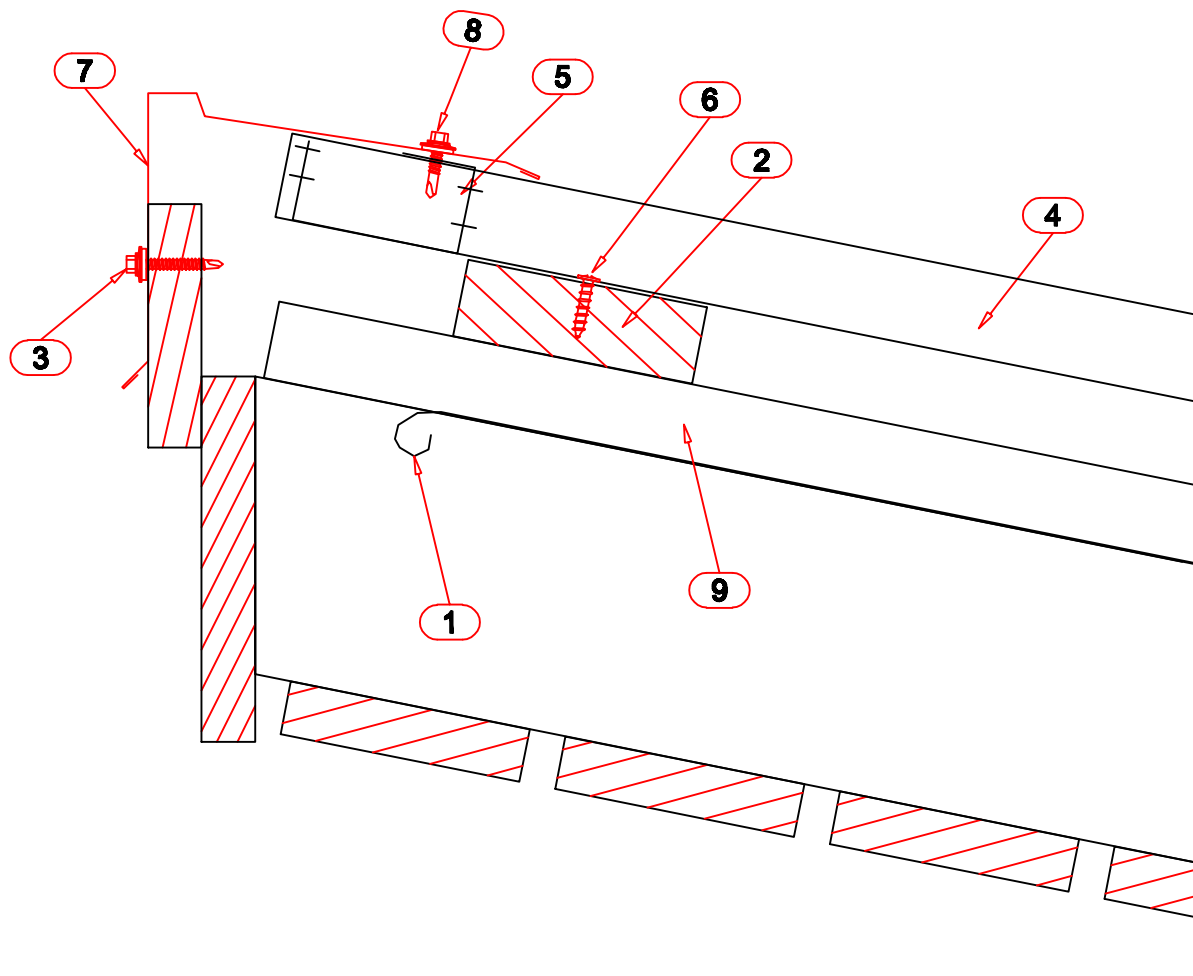


# RUUKKI

Contents of drawing

**Classic  
Wooden battens  
Upper eaves for monopitch roof**

|                           |                               |                      |                               |                  |
|---------------------------|-------------------------------|----------------------|-------------------------------|------------------|
| <b>Date</b><br>07.02.2006 | <b>Rev.date</b><br>15.04.2011 | <b>Work nr.</b><br>. | <b>Drw. nr.</b><br>SSDFI04-01 | <b>Rev.</b><br>. |
| <b>Drawn by</b><br>Ruukki | <b>Rev.</b><br>.              |                      |                               |                  |
| <b>Scale</b><br>1:3       | <b>Building</b><br>.          | <b>File nr.</b><br>. |                               |                  |



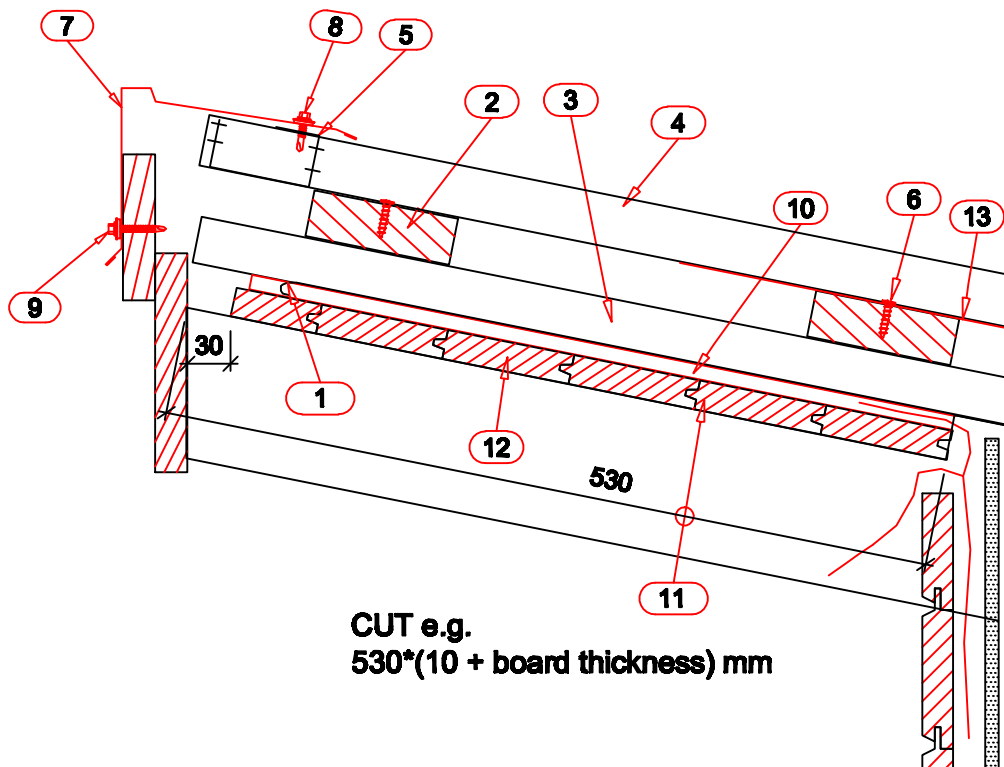
1. UNDERLAY
2. WOODEN BATTEN 22...32\*100
3. FASTENER
4. ROOFING SHEET CLASSIC SR35-475D
5. RIDGE SEALING STRIP, RA1AS
6. CLASSIC SCREW
7. UPPER EAVES FLASHING, RA1AEU
8. FASTENER
9. BATTEN, e.g. 32\*50

# RUUKKI

**Contents of drawing**

**Tile sheet  
Wooden battens  
Upper eaves for monopitch roof  
Overhead fascia board, notched roof struss**

|                           |                                |                 |                              |             |
|---------------------------|--------------------------------|-----------------|------------------------------|-------------|
| <b>Date</b><br>07.02.2006 | <b>Rev. date</b><br>15.04.2011 | <b>Work nr.</b> | <b>Drw nr.</b><br>SSDFI04-03 | <b>Rev.</b> |
| <b>Drawn by</b><br>Ruukki | <b>Rev.</b><br>.               |                 |                              |             |
| <b>Scale</b><br>1:5       | <b>Building</b><br>.           |                 | <b>File nr.</b>              |             |



**CUT e.g.  
530\*(10 + board thickness) mm**

1. UNDERLAY
2. WOODEN BATTEN 32\*100
3. BATTEN, E.G. 32\*50
4. ROOFING SHEET CLASSIC SR35-475C
5. RIDGE SEALING STRIP, RA1AS
6. CLASSIC SCREW
7. UPPER EAVES FLASHING, RA1AEU
8. FASTENER
9. FASTENER
10. PLYWOOD BATTEN 10x50
11. NOTCHED ROOF STRUSS
12. PANEL, E.G. 21\*95
13. ACOUSTIC FILLER

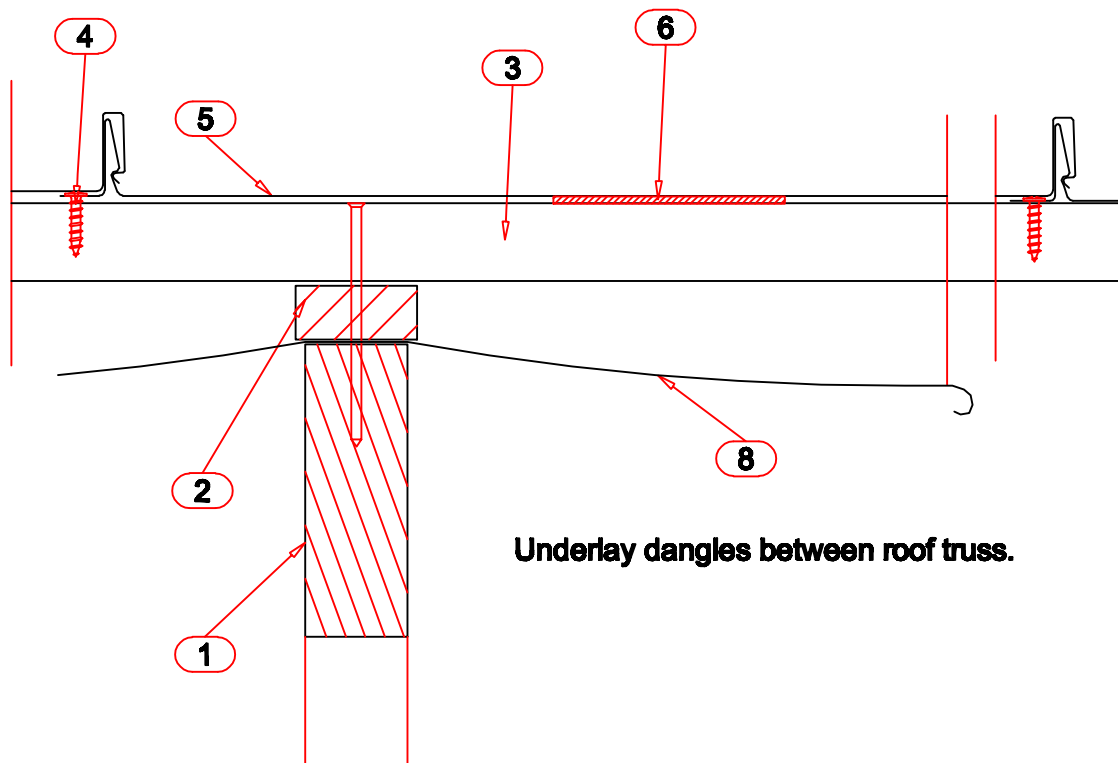
**Underlay must always come  
over external wall!**

# RUUKKI

Contents of drawing

Classic  
Wooden battens  
Pane of roof

|                           |                               |               |                               |           |
|---------------------------|-------------------------------|---------------|-------------------------------|-----------|
| Date<br><b>07.02.2006</b> | Rev.date<br><b>15.04.2011</b> | Work nr.<br>. | Drw. nr.<br><b>SSDFI07-01</b> | Rev.<br>. |
| Drawn by<br><b>Ruukki</b> | Rev.<br>.                     |               |                               |           |
| Scale<br><b>1:3</b>       | Building<br>.                 |               | File nr.<br>.                 |           |



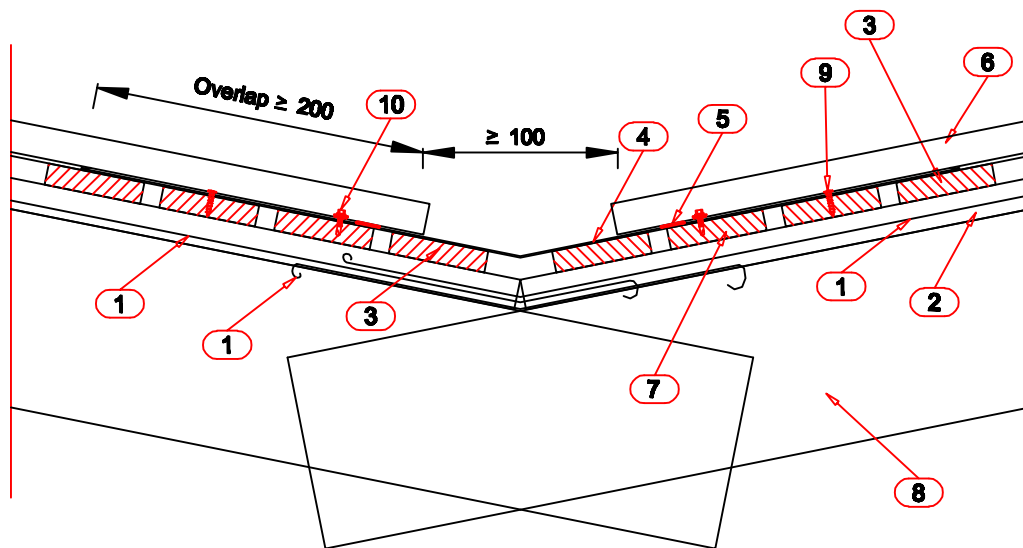
1. ROOF RAIL
2. BATTEN, e.g. 32\*50
3. WOODEN BATTEN 22...32\*100
4. CLASSIC SCREW
5. ROOFING SHEET CLASSIC SR35-475D
6. ACOUSTIC FILLER
7. UNDERLAY

# RUUKKI

Contents of drawing

Tile sheet  
Wooden batten  
Roof valley straight

|                           |                                |               |                               |           |
|---------------------------|--------------------------------|---------------|-------------------------------|-----------|
| Date<br><b>07.02.2006</b> | Rev. date<br><b>15.04.2011</b> | Work nr.<br>. | Drw. nr.<br><b>SSDFI05-01</b> | Rev.<br>. |
| Drawn by<br><b>Ruukki</b> | Rev.<br>.                      |               |                               |           |
| Scale<br><b>1:7.5</b>     | Building<br>.                  |               | File nr.<br>.                 |           |



- 1. UNDERLAY
- 2. BATTEN, E.G. 32\*50
- 3. BOARDS
- 4. VALLEY FLASHING, RA1BV
- 5. SEALING
- 6. ROOFING SHEET CLASSIC SR35-475C
- 7. FASTENER
- 8. ROOF RAFTERS
- 9. CLASSIC SCREW
- 10. FASTENER